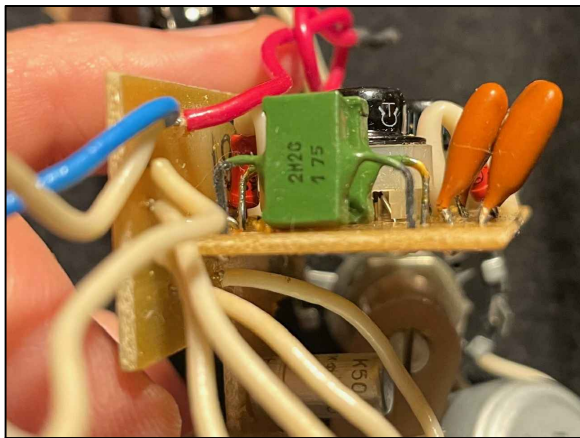
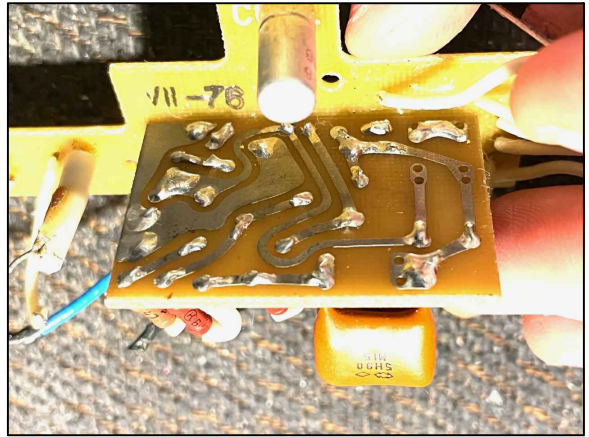
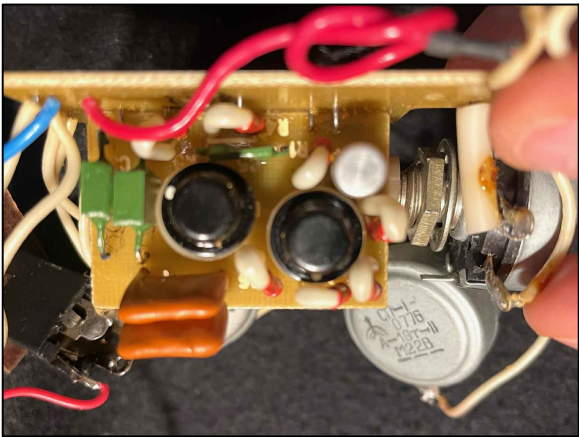
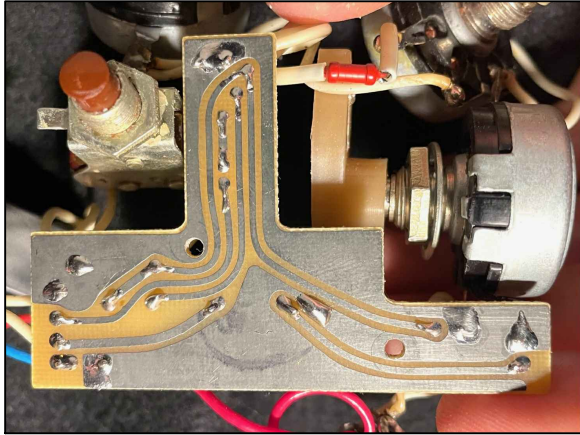
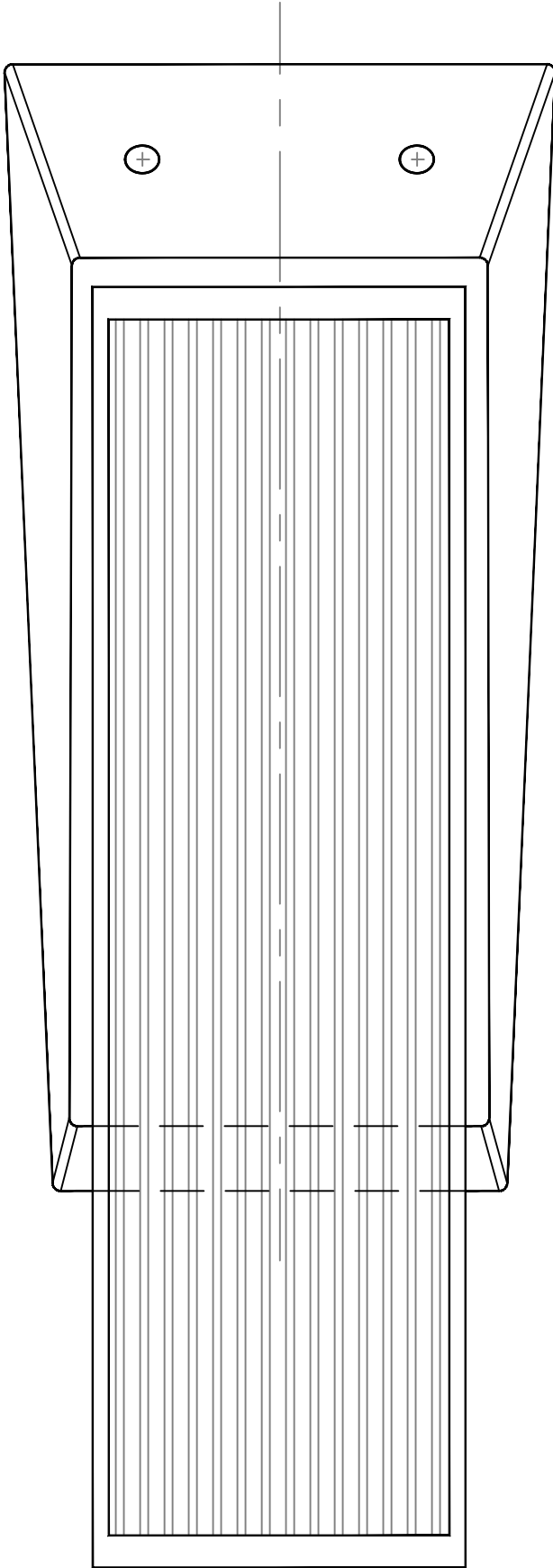


MAIN PCB
 1.5x ACTUAL SIZE

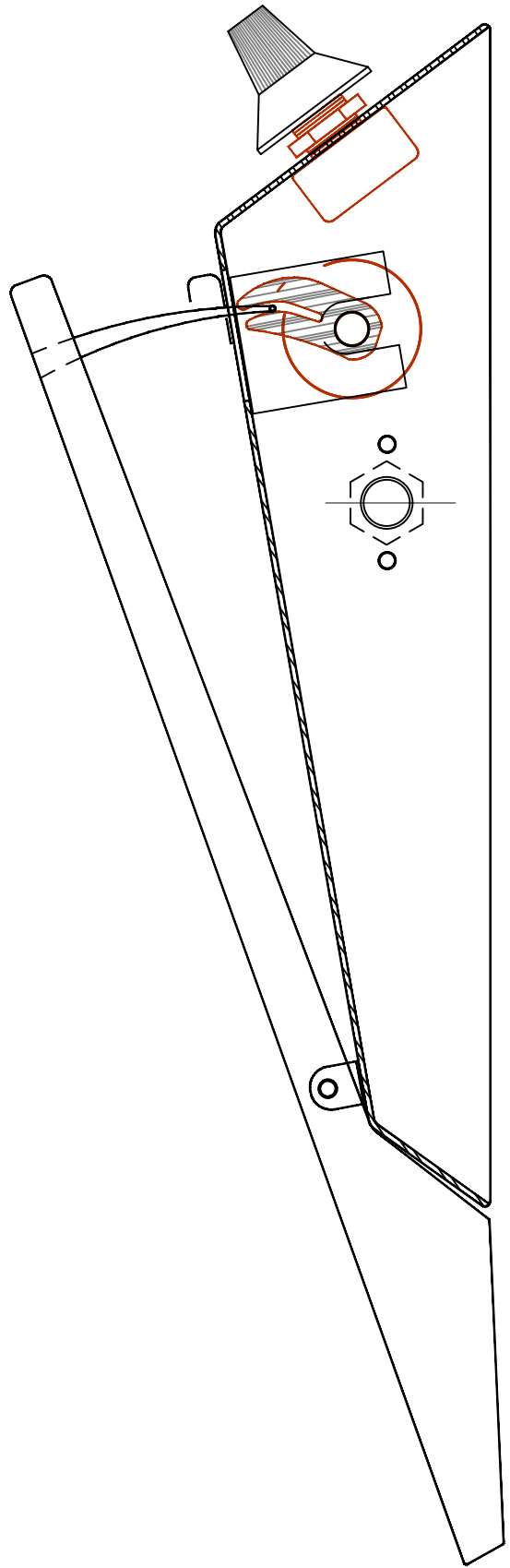
KVAKER Wah Pedal PCB

Drawn & Verified by Paul Marossy 4/28/2023

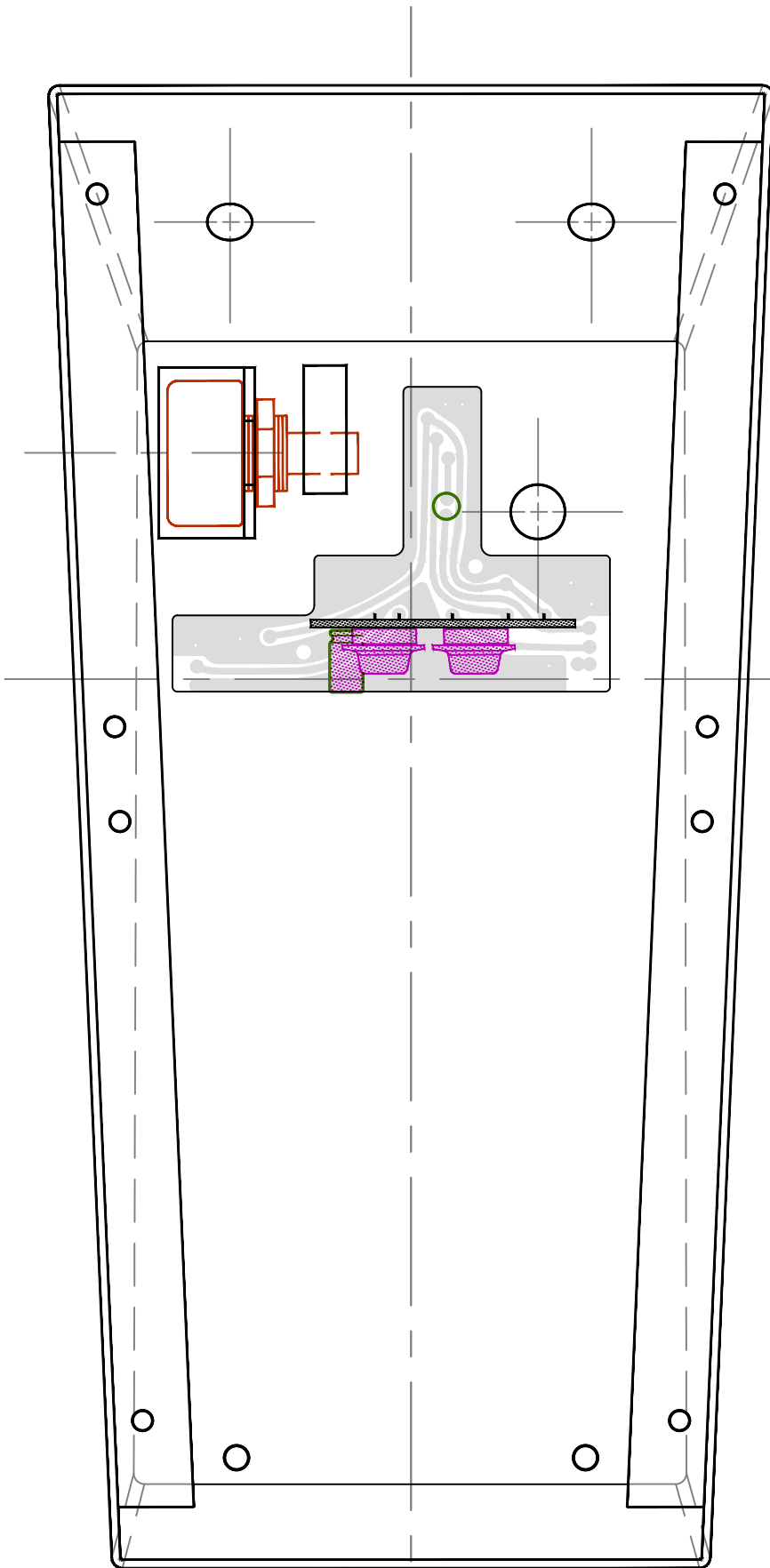




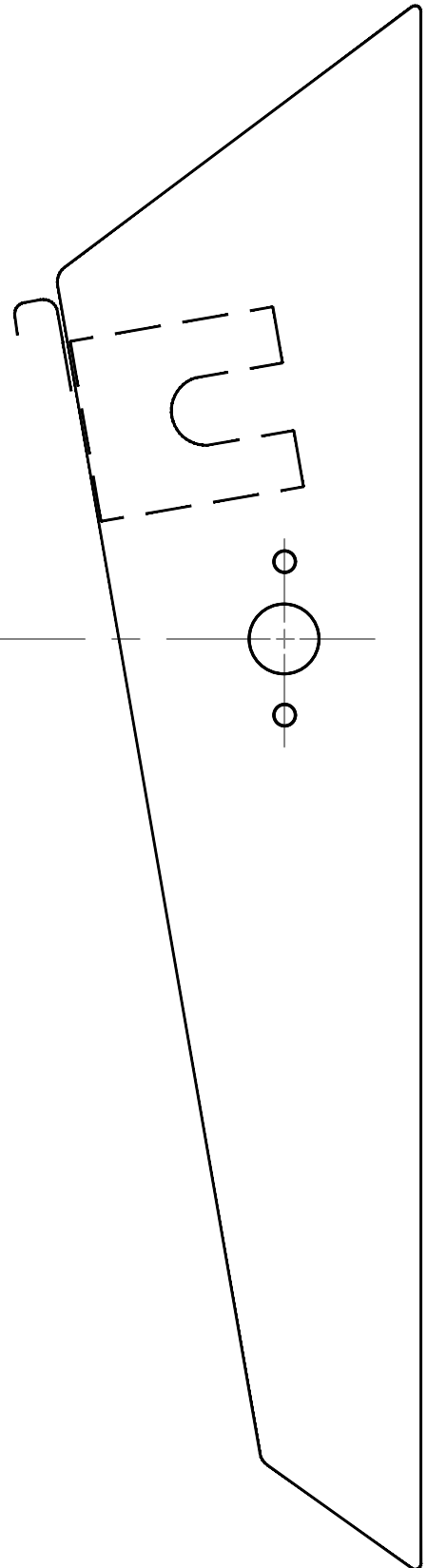
TOP VIEW
3/4 SIZE



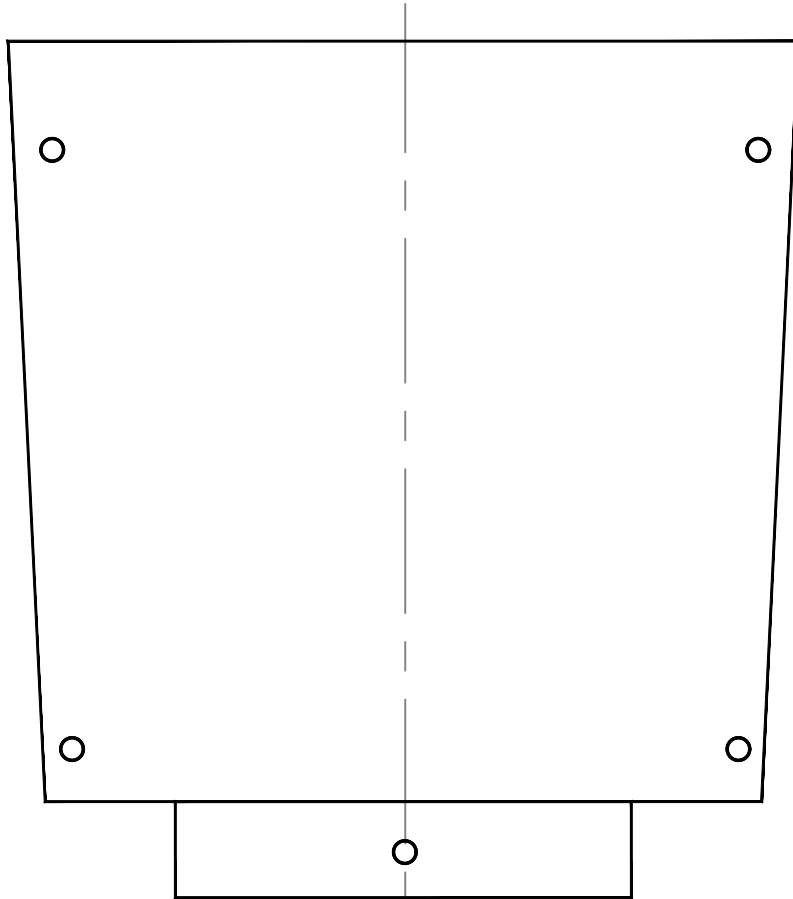
CROSS SECTION
3/4 SIZE



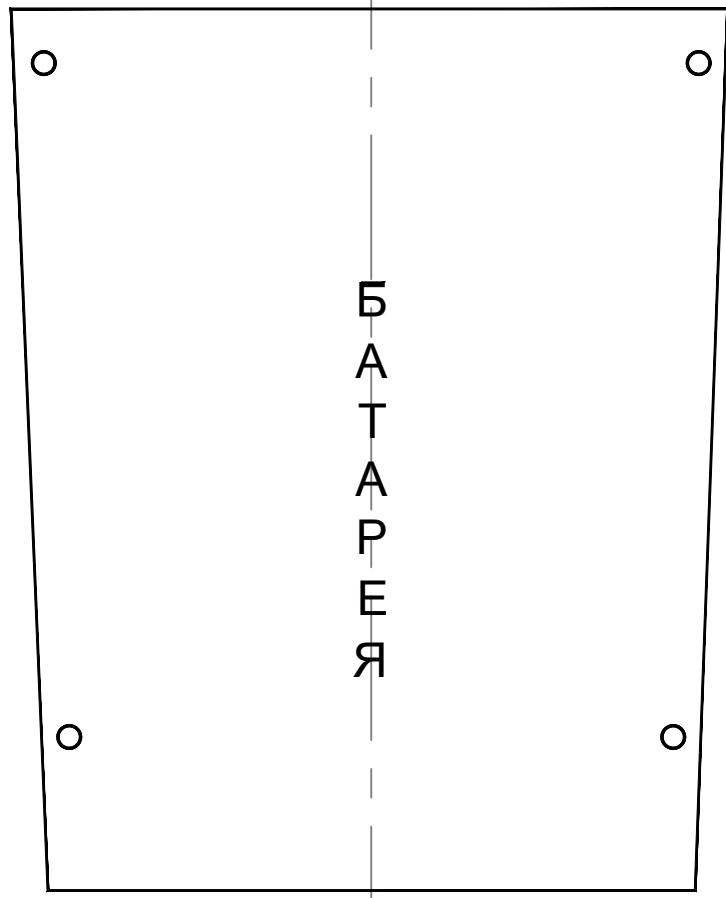
BOTTOM VIEW



SIDE VIEW

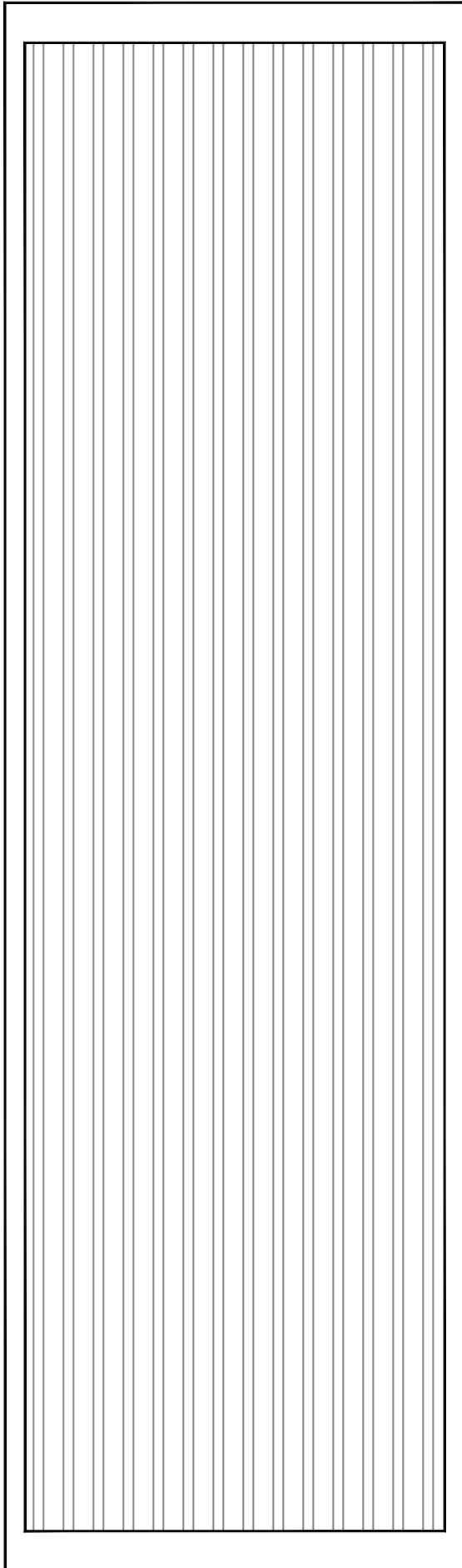


CONTROLS COVER

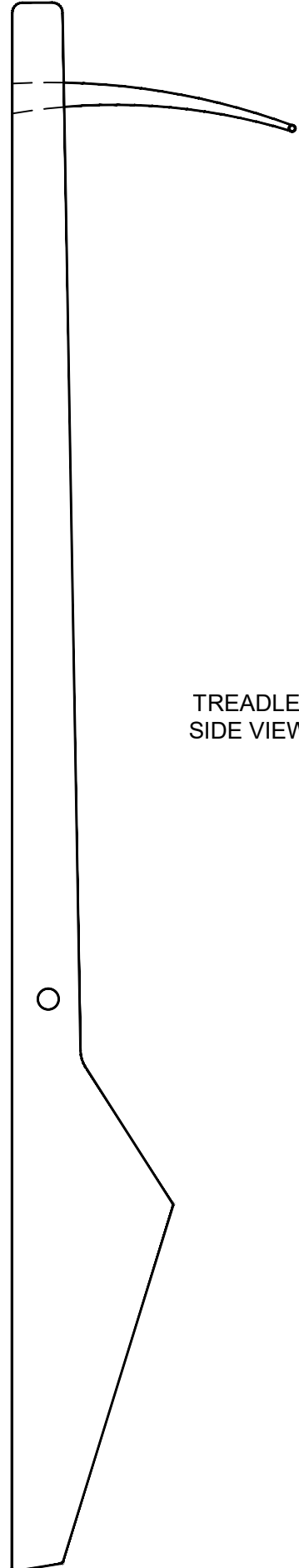


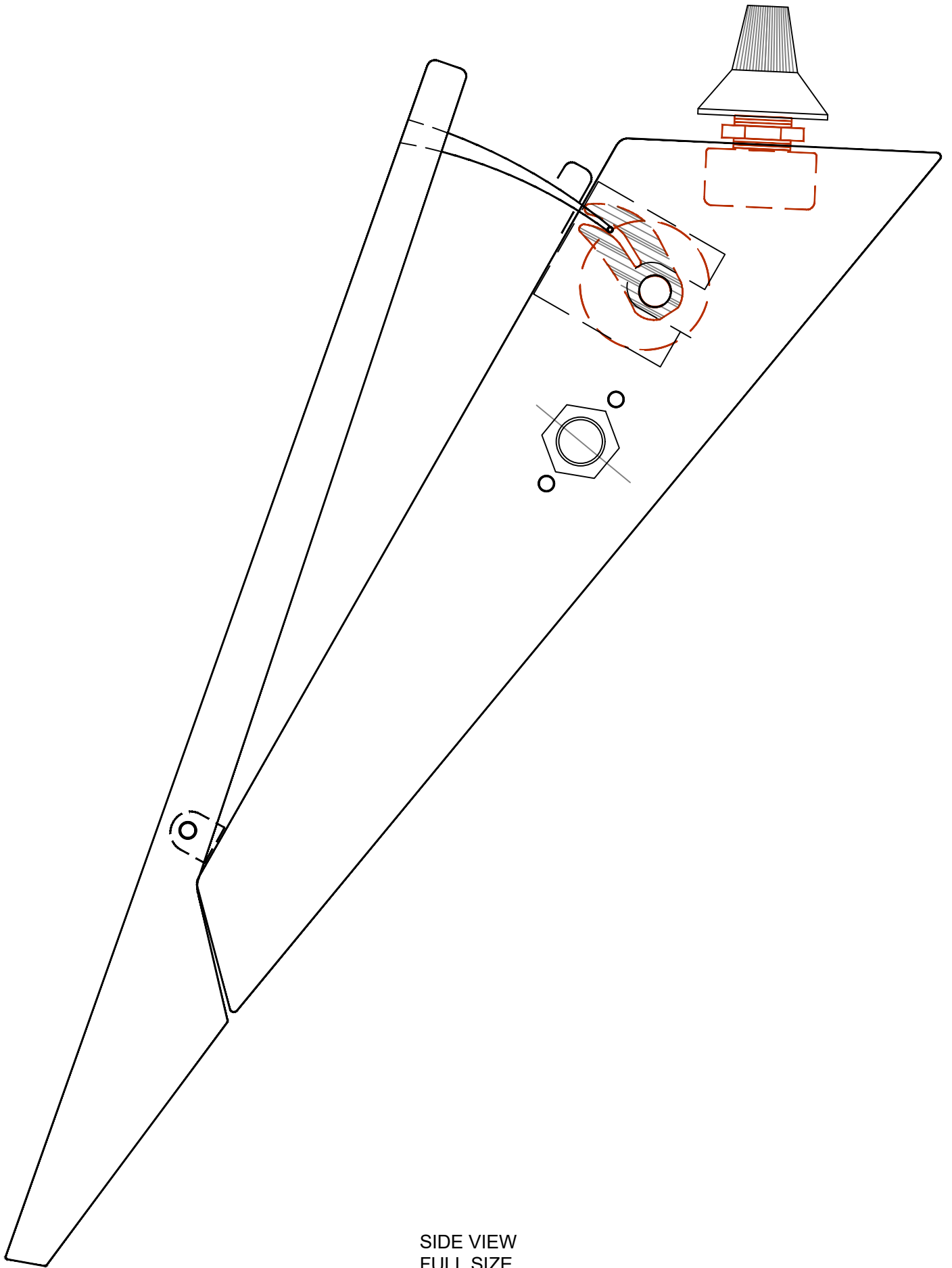
BATTERY COVER

TREADLE
TOP VIEW



TREADLE
SIDE VIEW





SIDE VIEW
FULL SIZE